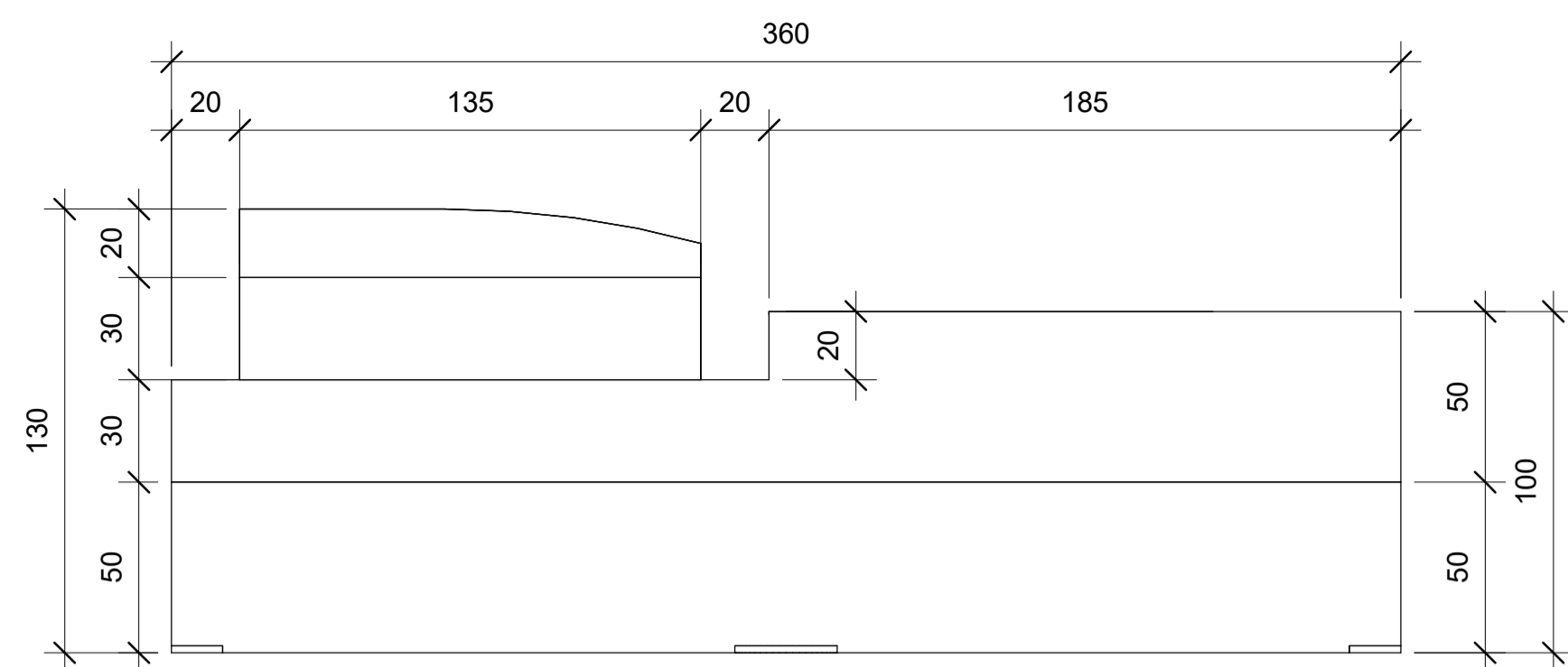
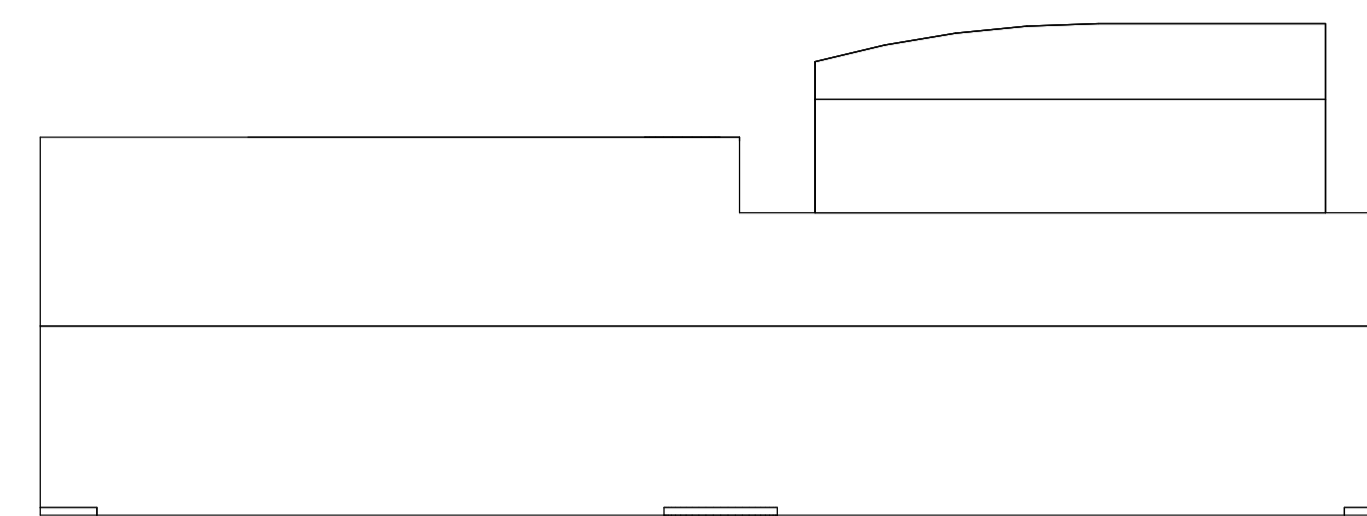


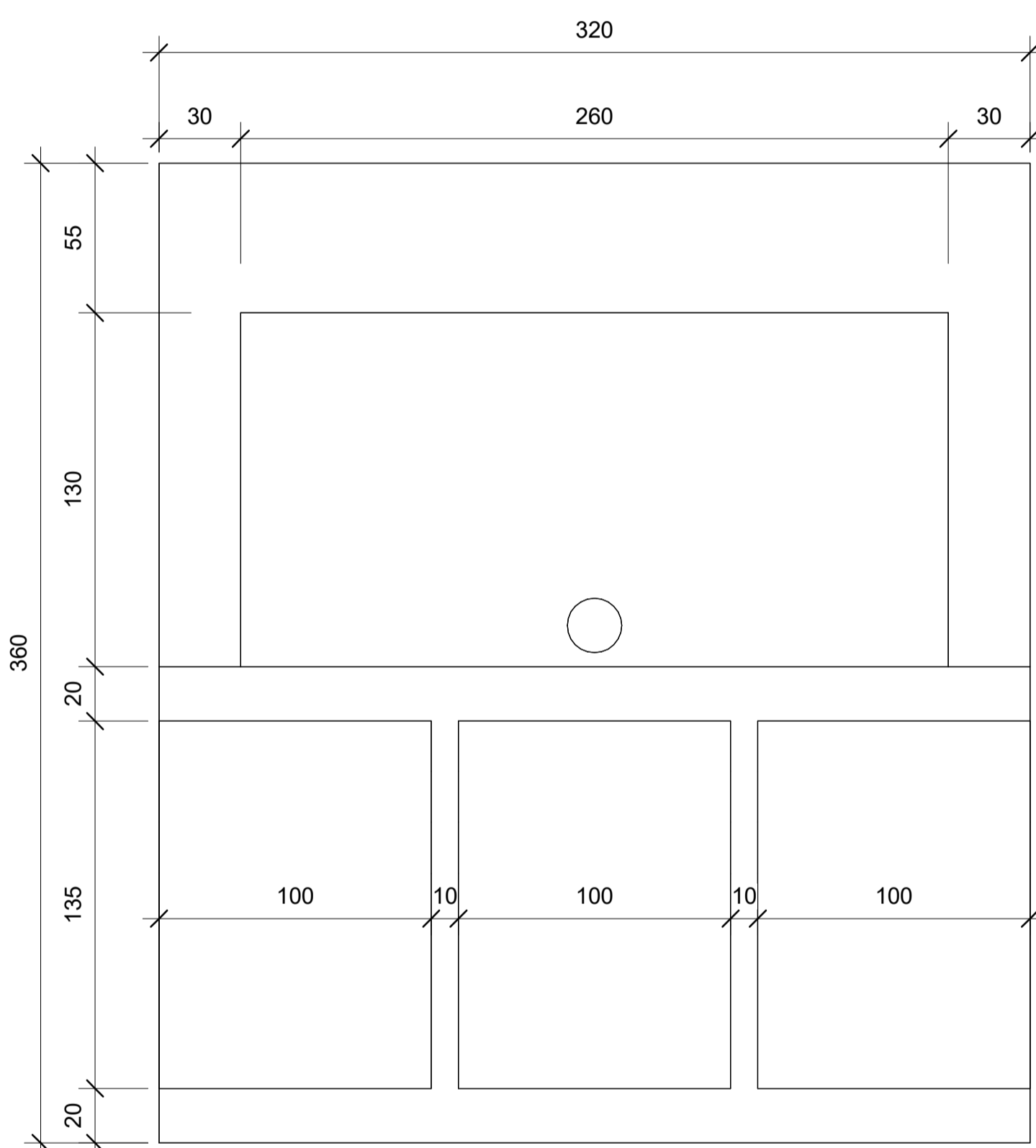
a Top
1 : 2



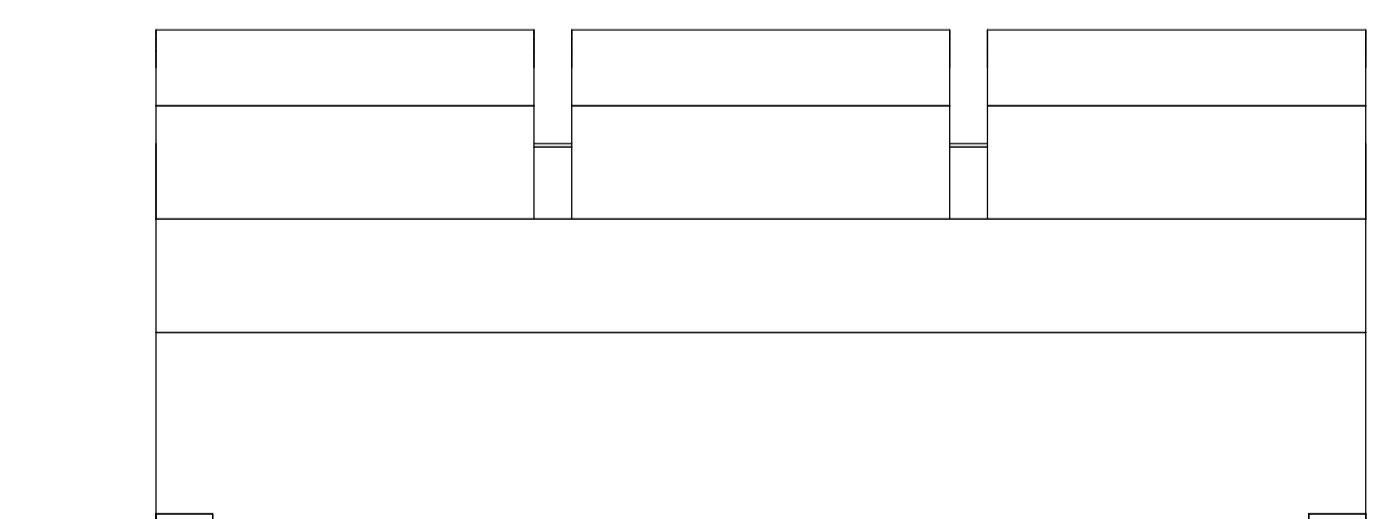
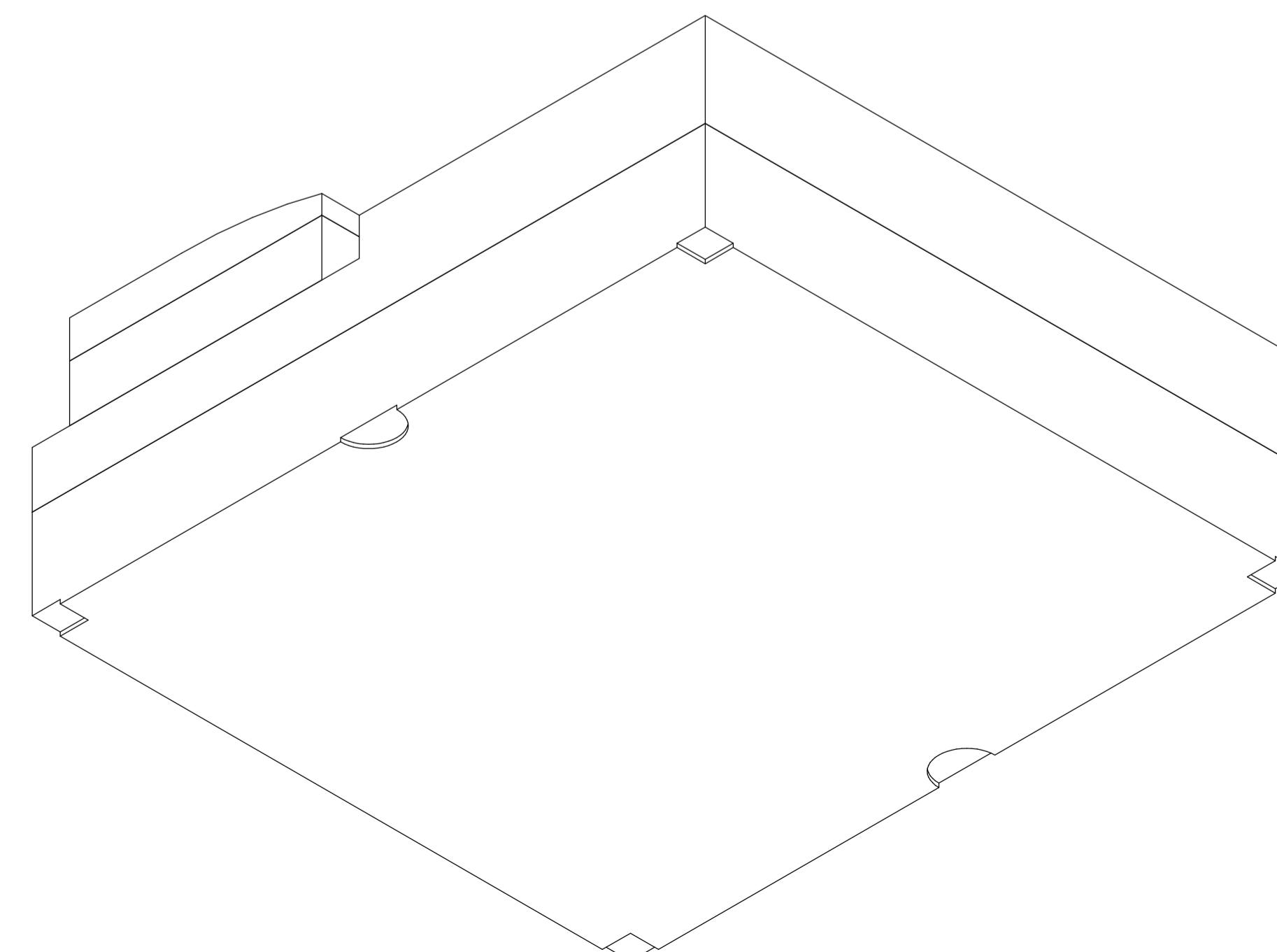
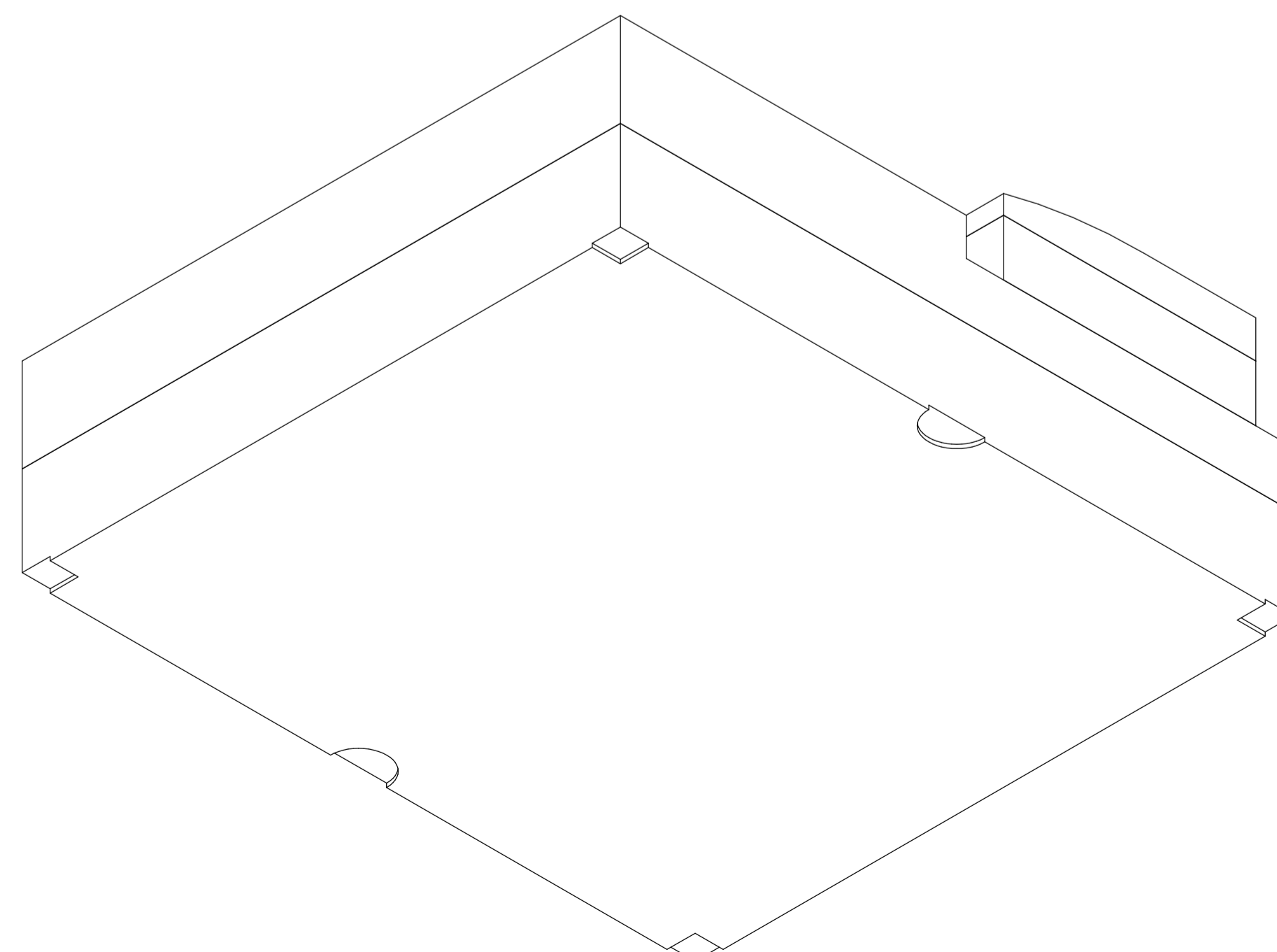
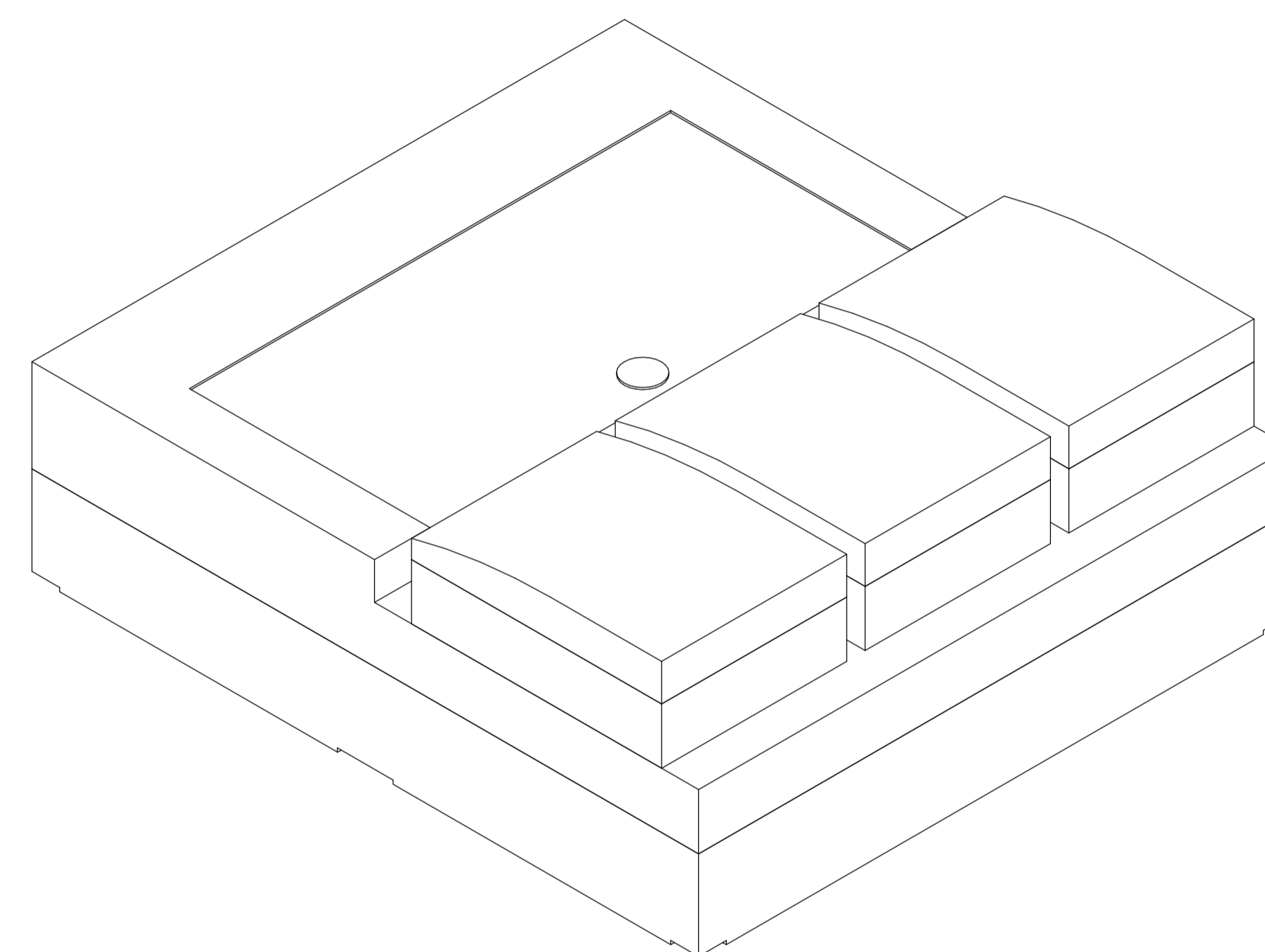
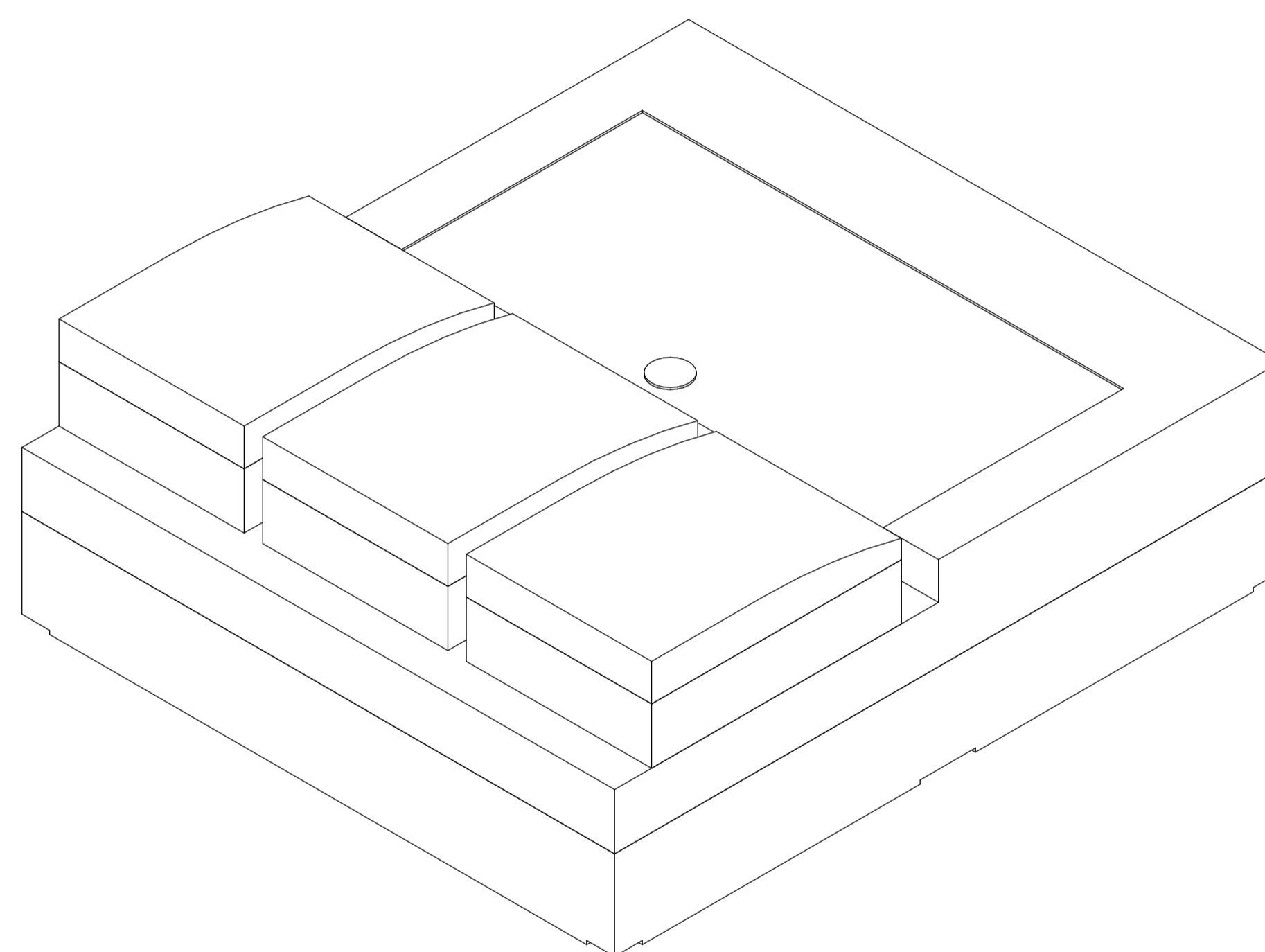
b Right
1 : 2



c Left
1 : 2



d Front
1 : 2



e Bottom
1 : 2

Rev	Description	Date	Rev'd	Chk'd
-----	-------------	------	-------	-------

Client:
Owner

Project:
Project Name

Scale @ A1: 1 : 2

Drawn By: Author Checked By: Checker

Date : 04/07/22 Date : 04/07/22

Drawing Title:
Unnamed

Status Description: Drawing Status:

Drawing No: A101 Revision: